

H7 SUPER YELLOW 2300K



Product Description

2300K strong visibility for the rainy or foggy days. Lightning distance increased 30 meters, drive safer. Yellow light bulbs give high-contrast illumination so we can see clearer and farther in difficult weather conditions. Let your car driving safely in the bad weather.

- Up to + 30m more distance
- Up to + 80% more light in the fog
- Fully road legal

Lunex halogen bulbs produce up to two times more luminous power than standard bulbs, thereby improving driving safety in all conditions, provide maximum visibility. They last far longer than standard bulbs. The light they provide is more intense and offers a consistent, clearly defined beam.

Unique patented packaging to ensure reliability of the product transport as per picture above.

UV filter – extended the lifetime of bulbs - increase the life span.

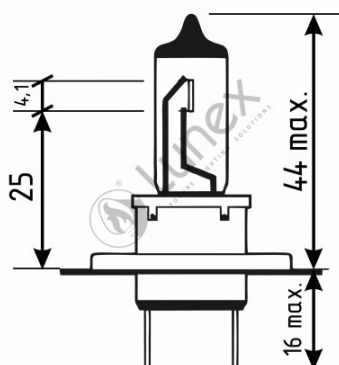
HQ UV Quartz Glass is a very strong glass, resistant to extreme temperatures and vibrations, eliminating the risk of explosion. UV quartz glass emits a stronger, cleaner light.

Simple to use, no need to change the lamp line and easy installation (plug in & replace stock light bulbs).

Authenticity confirmation - QR code

International warranty - 1 year

High Quality Premium Replacement Bulbs



Technical data

Power input	55 W
Nominal voltage	12.0 V
Nominal wattage	55 W
Base	PX26d
Color temperature	2300K
Luminous flux	1500 lm