

HB3 PLATINUM BLUE 4700K



Product Description

Headlights feature an advanced technology which produces stylish blue light. Blue lights which enhance and improve the vehicle's vision as it reflects back with light blueness around the car. These are the bluest high quality halogen bulbs they provide up to 70% more light and create that Max Blue Effect. This is a bulb for connoisseurs who looking for cool blue hue which most people recognize as the expensive, elegant look.

- Up to + 70% more light
- Up to + 30 m more distance
- Max Blue Effect
- No ECE confirmation – only off-road use

Lunex halogen bulbs produce up to two times more luminous power than standard bulbs, thereby improving driving safety in all conditions, provide maximum visibility. They last far longer than standard bulbs. The light they provide is more intense and offers a consistent, clearly defined beam.

Unique patented packaging to ensure reliability of the product transport as per picture above.

UV filter – extended the lifetime of bulbs - increase the life span.

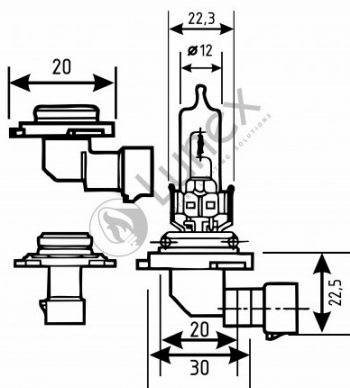
HQ UV Quartz Glass is a very strong glass, resistant to extreme temperatures and vibrations, eliminating the risk of explosion. UV quartz glass emits a stronger, cleaner light.

Simple to use, no need to change the lamp line and easy installation (plug in & replace stock light bulbs).

Authenticity confirmation - QR code

International warranty - 1 year

High Quality Premium Replacement Bulbs



Technical data

Power input	65 W
Nominal voltage	12.0 V
Nominal wattage	65 W
Base	P20d
Color temperature	4700K
Luminous flux	1200 lm